



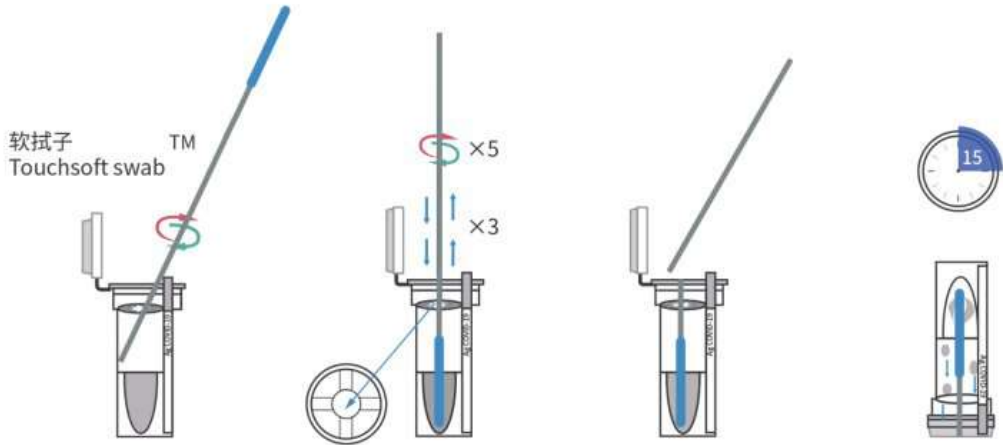
COVID-19 Sealing Tube Test Strip (Colloidal Gold)

Tube + Swab = Kit !

Sampling= testing, reviewed results
Avoid biosafety risks



Operation Guidance



1.Foil breaking

2.Swab washing

3.Swab breaking

4.Result reading

Five Advantages

Multi-Results

Detect COVID-19 Ag and IgG/IgM Ab, Flu A/B Ag.

Simple Operation

Less components, only Sealing Tube and Swab.

Less Infection

All viruses with the swab are sealed into tube.
Much less infection.

Accurate Results

Sensitivity 98.5%; Specificity 99%; LOD 312 TCID50 /mL

Stable Signal

No diviation on vertical migration, stable signal in days.

Sampling Methods



Nasal Swab



Nasopharyngeal Swab



Saliva Swab



Throat Swab



Whole Blood

AMAZING BIOTECH(Shanghai)Co., Ltd.

Add: 3/F, Building 1, No. 48-52 Gucui Road, Xinchang Town,
Pudong New District, Shanghai, China.

Tel: +86 (0)21 6807 1355

Email: int_sales@amazingbio.cn

Web: <https://www.amazingbio.net>

